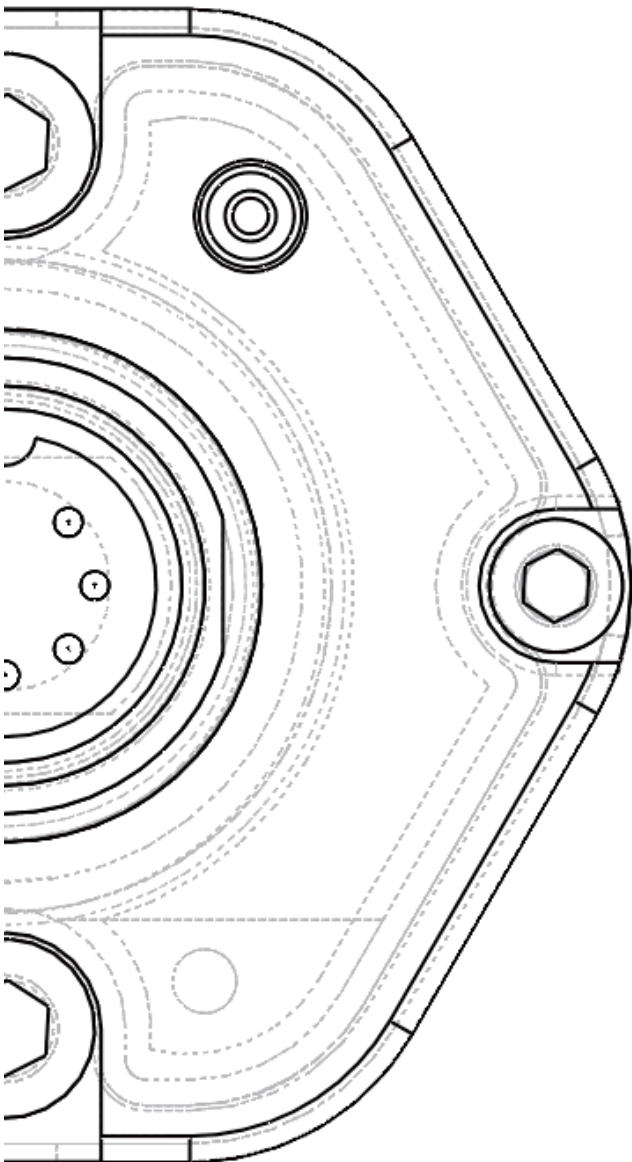


AMT[®]

线性位移传感器
Linear Position Sensor

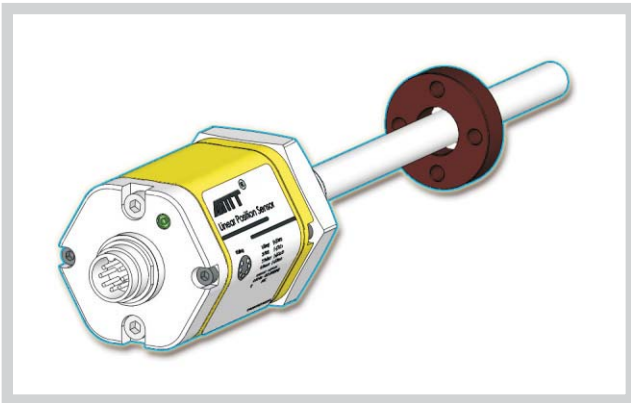


RH系列 - 选型手册

RH series - Product Catalog



RH Series | analog output: 4~20mA, 0~20mA, 0~10V, -10V~+10V



- **Product features**
 - Rugged and reliable, Oil-resistant
 - Absolute position output, No need return to zero
 - Non-Contact Sensing with Highest Durability
 - High resolution, analog output 16 D/A, infinite resolution
 - Non-linearity is less than 0.01% of the range
 - Repeatability is higher than 0.001% of the range
 - LEDs for real-time sensor diagnostics
 - Modular design, Replaced by the convenience
 - Low-power consumption design, Effectively reduce the system wenpiao

■ Technical Data

Project name	Data/Index
Measurement parameters	
Measuring range	25~7600mm
Out put	0~20mA (min/max: 0/500 Ω)
	4~20mA (min/max: 0/500 Ω)
	0~10V (min > 5k Ω)
	-10~+10V (min > 5k Ω)
Resolution	16 bit
linearity	< ±0.01% F.S. (Minimum ±50 μm)
Repeatability	< ±0.001% F.S. (Minimum ±1 μm)
Update time	0.5ms(ms < 1m) 1.0ms(1m < ms < 2m)
	2.0ms(2m < ms < 4m) 4.0ms(4m < ms < 7.6m)

Electrical characteristics	
Leading-out mode	cable outlet or 6 pin connector
Input voltage	24VDC (-15/+20%)
Current drain	< 50mA (With the range of variation)
Polarity protection	up to -30VDC
Overvoltage protection	up to 36VDC
Electric strength	500V (DC ground to machine ground)
Diagnostic display	LEDs beside connector

Project name	Data/Index
Design, material	
Sensor head	Aluminium
Sensor stroke	AISI 304
Mounting flange	AISI 304

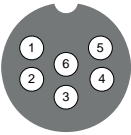
Installation	
Mounting direction	any
Mounting mode	Screw mounted, M18x1.5 or User customization
Position magnet	Ring magnet OD33, OD25.4, OD17.4

Operating conditions	
Magnet speed	any
Operating temperature	-40°C ~ +85°C
Dew point/humidity	90%rel.humidity, no condensation
Temperature coefficient	< 30ppm/°C
Protection	IP67
Pressure rating	350bar/70bar peak

■ Electrical connection ■ Status indicator

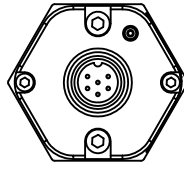
Analog output pin definition

Pin	Cable	Function
1	Grey	(+) Output
2	Pink	(-) Output
3	Yellow	Prog.
4	Green	Com.
5	Brown	+24Vdc
6	White	DC GND (0 Vdc)

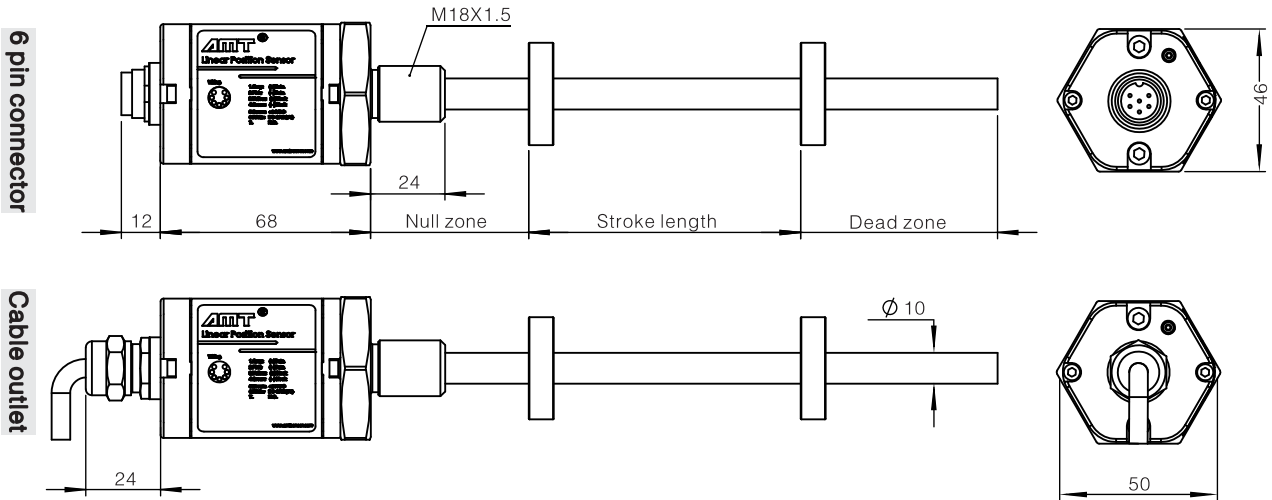


Male insert sensor plug rear of cable connector

Indicator lamp status	Definition
The green on	Normal working
The green flashing	Program status
The red flashing	magnet out of effective range
The red on	magnet not detected or magnet damaged

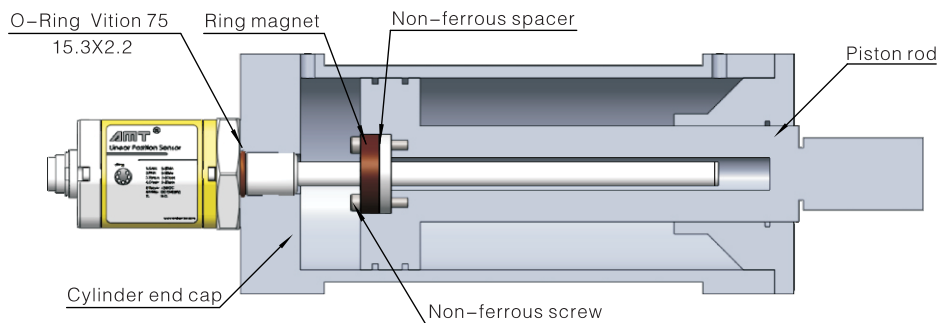


■ Outline dimensions



Explain: RH series product pressure rod can and electronic head convenient separation (two M4 X59 screw), can be in not pressure realize quick replacement, pressure rod can be oil cylinder permanent part.

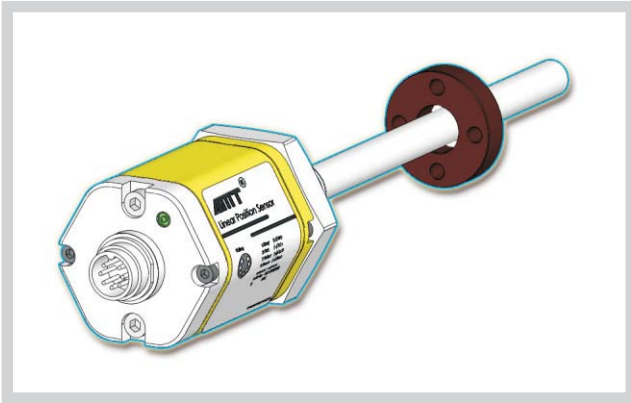
■ Installation guide



■ Style guide

<div style="display: flex; justify-content: space-around; align-items: center;"> <div style="border: 1px solid black; padding: 2px 5px;">R</div> <div style="border: 1px solid black; padding: 2px 5px;">H</div> <div style="border: 1px solid black; padding: 2px 5px;">M</div> <div style="border: 1px solid black; padding: 2px 5px;"> </div> <div style="border: 1px solid black; padding: 2px 5px;"> </div> <div style="border: 1px solid black; padding: 2px 5px;"> </div> <div style="border: 1px solid black; padding: 2px 5px;"> </div> <div style="border: 1px solid black; padding: 2px 5px;"> </div> <div style="border: 1px solid black; padding: 2px 5px;">M</div> <div style="border: 1px solid black; padding: 2px 5px;"> </div> <div style="border: 1px solid black; padding: 2px 5px;"> </div> <div style="border: 1px solid black; padding: 2px 5px;"> </div> <div style="border: 1px solid black; padding: 2px 5px;"> </div> <div style="border: 1px solid black; padding: 2px 5px;"> </div> <div style="border: 1px solid black; padding: 2px 5px;"> </div> </div>	<p>Installation</p> <p>M = Flange M18X1.5</p> <p>Measuring blind area (Head / end)</p> <p>S = 50.8mm / 63.5mm</p> <p>B = 29mm / 60mm</p> <p>Measuring length</p> <p>Unit mm, Less than four bits in front of zero, In5mm increments</p> <p>Connection type</p> <p>6 pin connector: (Supporting plug and Cable another order)</p> <p>D 60 = 6 pin connector analog output plug</p> <p>Cable outlet: (Less than two bits in front of zero, unit: M)</p> <p>S__ = Standard cable+Cable length</p> <p>T__ = High temperature cable+Cable length</p>	<p>Output</p> <p>A10 = 4~20mA V10 = 0~10V</p> <p>A11 = 20~4mA V11 = 10~0V</p> <p>A20 = 0~20mA V20 = -10~10V</p> <p>A21 = 20~0mA V21 = 10~-10V</p>
---	---	---

RH Series | SSI output: 24, 25, 26 bit binary or gray



- **Product features**
 - Rugged and reliable, Oil-resistant
 - Absolute position output, No need return to zero
 - Non-Contact Sensing with Highest Durability
 - High resolution, SSI output the highest 0.5 μm
 - Non-linearity is less than 0.01% of the range
 - Repeatability is higher than 0.001% of the range
 - LEDs for real-time sensor diagnostics
 - Modular design, Replaced by the convenience
 - Low-power consumption design, Effectively reduce the system consumption

■ Technical Data

Project name	Data/Index
Measurement parameters	
Measuring range	25~7600mm
Out put	24、25、26bit binary or gray
Data speed	70kBd~1MBd
	length: < 3 < 50 < 100 < 200 < 400 m
	rate: 1000 < 400 < 300 < 200 < 100 kBd
Resolution	0.5 / 1 / 2 / 5 / 10 / 20 / 50 / 100μm
linearity	< ±0.01%F.S.(Minimum ± 40 μ m)
Repeatability	< ±0.001%F.S. (± 1bit)
Update time	length: 300 750 1000 2000 5000 mm
	rate: 3.7 3.0 2.3 1.2 0.5 kHz

■ Electrical characteristics

Leading-out mode	cable outlet or 7 pin connector
Input voltage	24VDC (-15/+20%)
Current drain	< 60mA (With the range of variation)
Polarity protection	up to-30VDC
Overvoltage protection	up to 36VDC
Electric strength	500V (DC ground to machine ground)
Diagnostic display	LEDs beside connector

■ Project name Data/Index

■ Design,material

Sensor head	Aluminium
Sensor stroke	AISI 304
Mounting flange	AISI 304

■ Installation

Mounting direction	any
Mounting mode	Screw mounted, M18x1.5orUser customization
Position magnet	Ring magnetOD33, OD25.4, OD17.4

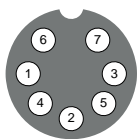
■ Operating conditions

Magnet speed	any
Operating temperature	- 40°C ~ +85°C
Dew point/humidity	90%rel.humidity, no condensation
Temperature coefficient	< 15ppm/°C
Protection	IP67
Pressure rating	350bar/700bar peak

■ Electrical connection

SSl output pin definition

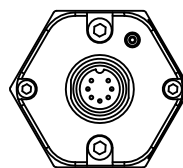
Pin	Cable	Function
1	Grey	(+) Output
2	Pink	(-) Output
3	Yellow	Prog.
4	Green	Com.
5	Brown	+24Vdc
6	White	DC GND (0 Vdc)
7		NC



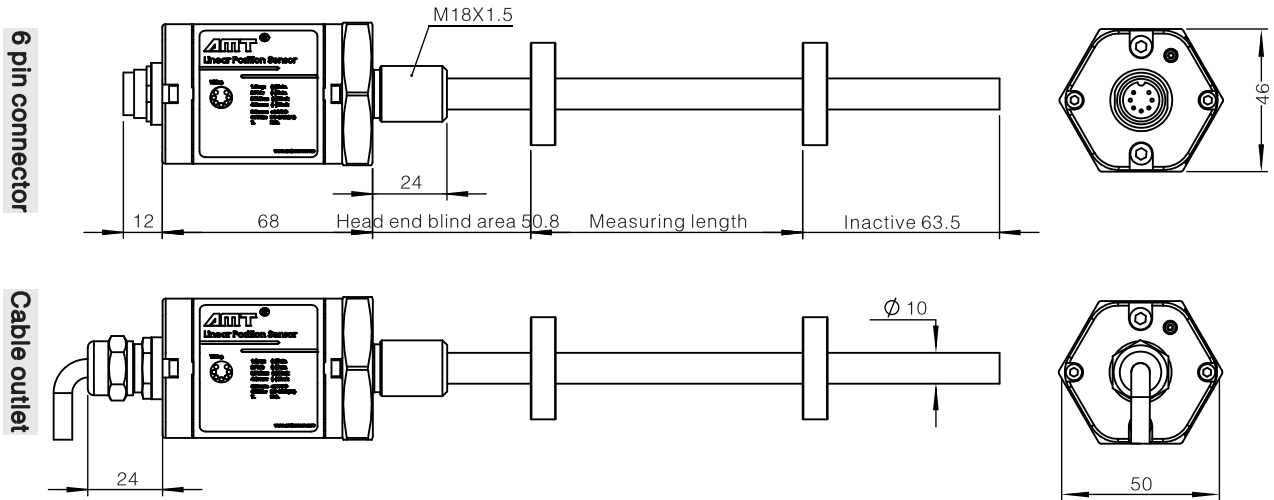
Male insert sensor plug rear of cable connector

■ Status indicator

Indicator lamp status	Definition
The green on	Normal working
The green flashing	Program status
The red flashing	magnet out of effective range
The red on	magnet not detected or magnet damaged

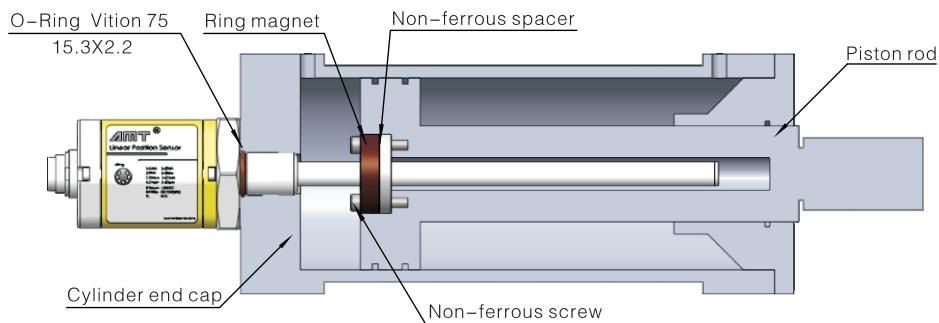


■ Outline dimensions



Explain: RH series product pressure rod can and electronic head convenient separation (two M4 X59 screw), can be in not pressure realize quick replacement, pressure rod can be oil cylinder permanent part.

■ Installation guide



■ Style guide

<div style="display: flex; justify-content: space-around; align-items: center;"> <div style="border: 1px solid black; padding: 2px;">R</div> <div style="border: 1px solid black; padding: 2px;">H</div> <div style="border: 1px solid black; padding: 2px;">M</div> <div style="border: 1px solid black; padding: 2px;"> </div> <div style="border: 1px solid black; padding: 2px;"> </div> <div style="border: 1px solid black; padding: 2px;"> </div> <div style="border: 1px solid black; padding: 2px;"> </div> <div style="border: 1px solid black; padding: 2px;"> </div> <div style="border: 1px solid black; padding: 2px;">M</div> <div style="border: 1px solid black; padding: 2px;"> </div> <div style="border: 1px solid black; padding: 2px;"> </div> <div style="border: 1px solid black; padding: 2px;"> </div> <div style="border: 1px solid black; padding: 2px;">S</div> <div style="border: 1px solid black; padding: 2px;"> </div> <div style="border: 1px solid black; padding: 2px;"> </div> <div style="border: 1px solid black; padding: 2px;"> </div> </div>	<p>Installation</p> <p>M = Flange M18X1.5</p> <p>Measuring blind area (Head / end)</p> <p>S = 50.8mm / 63.5mm</p> <p>B = 29mm / 60mm</p> <p>Measuring length</p> <p>Unit mm, Less than four bits in front of zero, In5mm increments</p> <p>Connection type</p> <p>7 pin connector: (Supporting plug and Cable another order)</p> <p>D 70 = 7 pin connector SSI output plug</p> <p>Cable outlet: (Less than two bits in front of zero, unit: M)</p> <p>S__ = Standard cable+Cable length</p> <p>T__ = High temperature cable+Cable length</p>	<p>Output direction</p> <p>0 = forward 1 = reverse</p> <p>Resolution</p> <p>1 = 0.001mm 2 = 0.002mm</p> <p>3 = 0.005mm 4 = 0.01mm</p> <p>5 = 0.02mm 6 = 0.05mm</p> <p>7 = 0.1mm 8 = 0.0005mm</p> <p>Data format</p> <p>1G = 25Bit Gray 1B = 25Bit Binary</p> <p>2G = 24Bit Gray 2B = 24Bit Binary</p> <p>3G = 26Bit Gray 3B = 26Bit Binary</p>
---	--	--