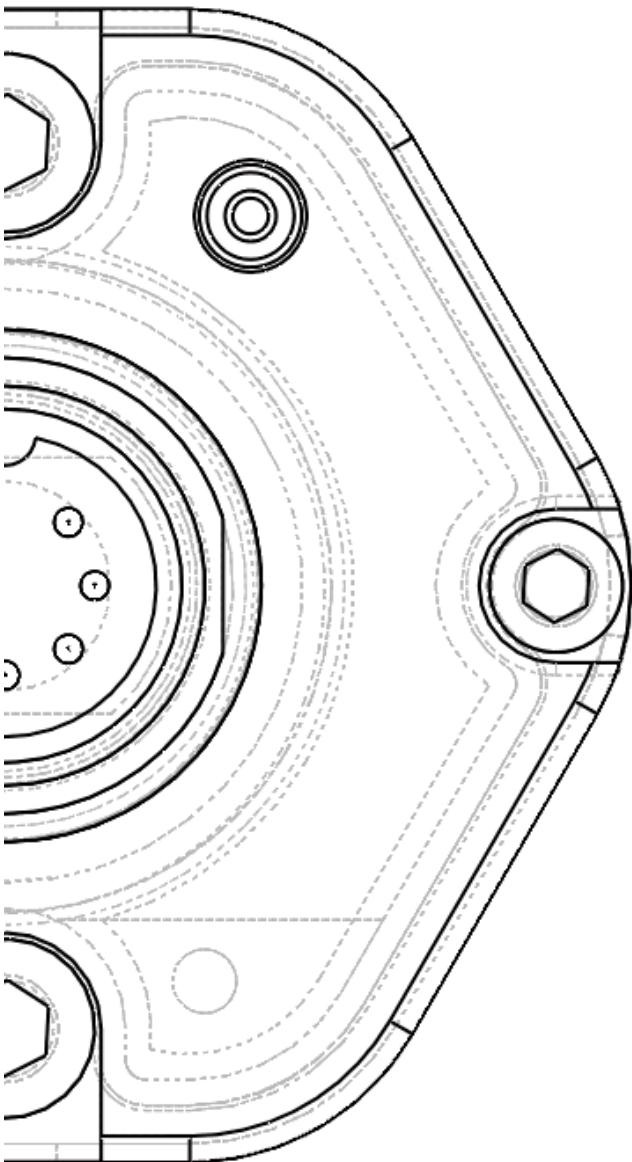


AMT[®]

线性位移传感器
Linear Position Sensor

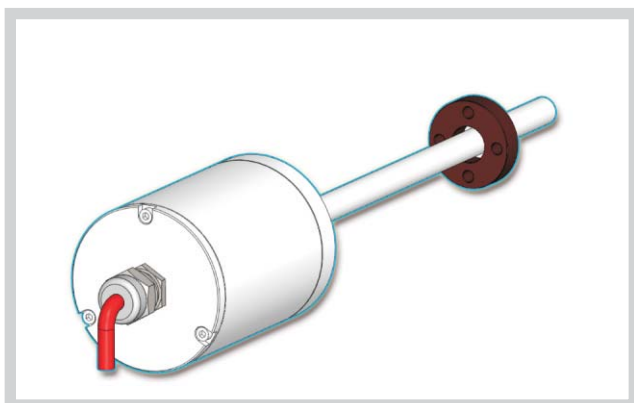


WH系列 - 选型手册

WH series - Product Catalog



WH Series | analog output: 4~20mA, 0~20mA, 0~10V, -10V~+10V



Product features

- Rugged and reliable, Protection ability :IP69K
- Absolute position output, No need to return to zero
- Non-Contact Sensing with Highest Durability
- Non-linearity is less than 0.01% of the range
- Repeatability is higher than 0.001% of the range

WH series products are specially designed for waterproof applications. Cable output uses waterproof connector. The machine protection ability can reach IP69K. The structure is compact and the installation space is small.

Technical Data

Project name **Data/Index**

Measurement parameters

Measuring range	25~7600mm
Out put	0~20mA (min/max: 0/500 Ω) 4~20mA (min/max: 0/500 Ω) 0~10V (min > 5k Ω) -10~+10V (min > 5k Ω)
Resolution	16 bit
linearity	< ±0.01% F.S. (Minimum ±50 μm)
Repeatability	< ±0.001% F.S. (Minimum ±1 μm)
Update time	0.5ms(ms < 1m) 1.0ms(1m < ms < 2m) 2.0ms(2m < ms < 4m) 4.0ms(4m < ms < 7.6m)

Electrical characteristics

Leading-out mode	cable outlet or 6 pin connector
Input voltage	24VDC (-15/+20%)
Current drain	< 50mA (With the range of variation)
Polarity protection	up to -30VDC
Overvoltage protection	up to 36VDC
Electric strength	500V (DC ground to machine ground)
Diagnostic display	nothing

Project name **Data/Index**

Design, material

Sensor head	AISI 304
Sensor stroke	AISI 304
Mounting flange	AISI 304

Installation

Mounting direction	any
Mounting mode	Screw mounted, M18X1.5 or User customization
Position magnet	Ring magnets OD33, OD25.4

Operating conditions

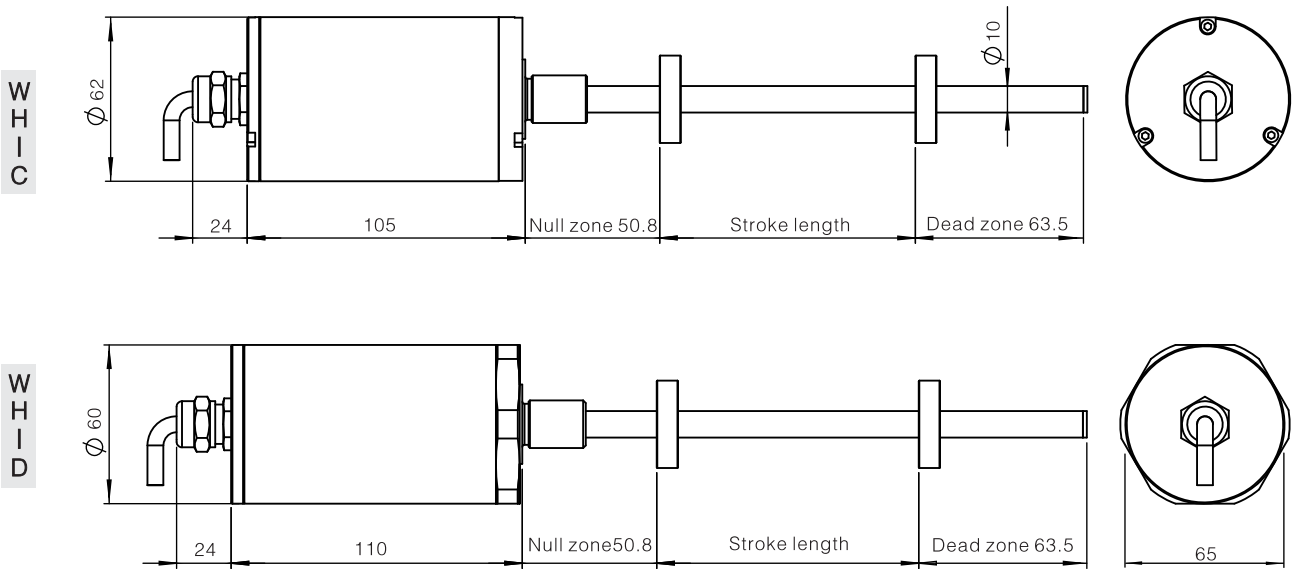
Magnet speed	any
Operating temperature	-40°C ~ +85°C
Dew point/humidity	90%rel.humidity, no condensation
Temperature coefficient	< 30ppm/°C
Protection	IP69K
Pressure rating	350bar/700bar peak

Electrical connection

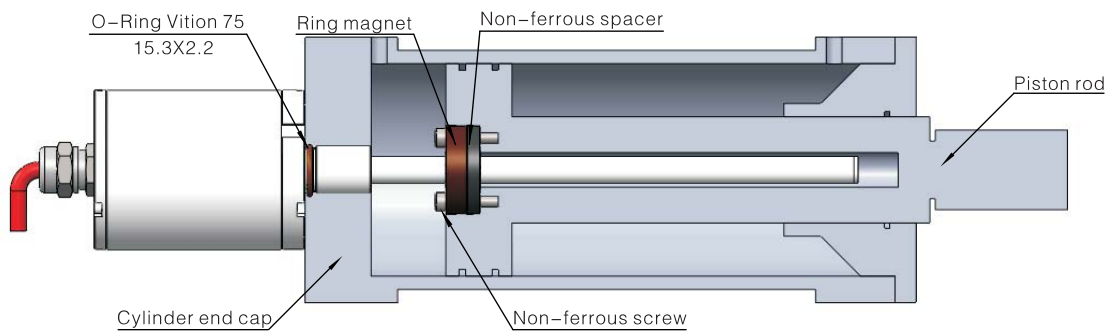
Analog output pin definition

	Pin	Cable	Function
This product does not provide air plug output	1	Grey	(+) Output
	2	Pink	(-) Output
	3	Yellow	Prog.
	4	Green	Com.
	5	Brown	+24Vdc
	6	White	DC GND (0 Vdc)

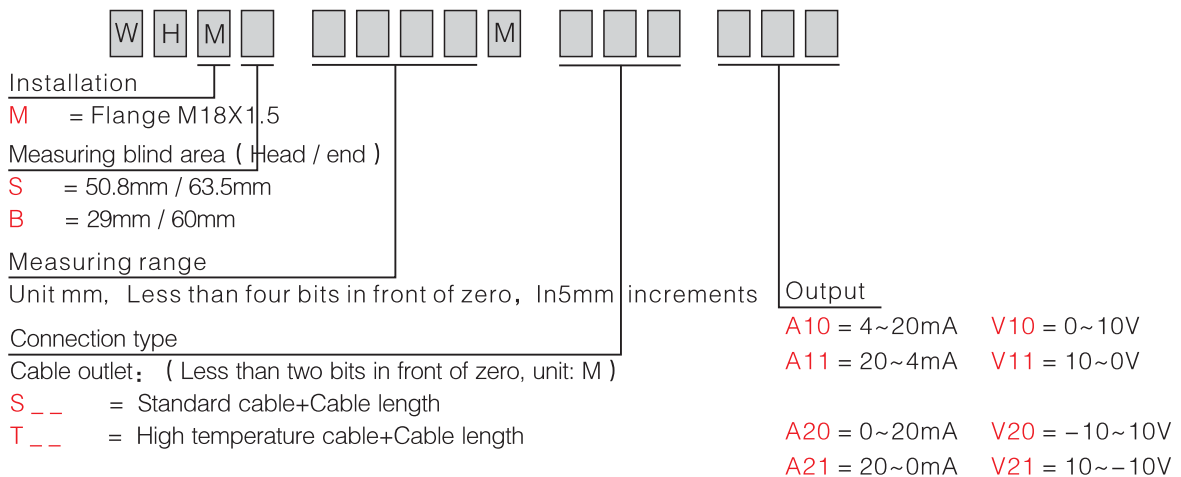
Outline dimensions



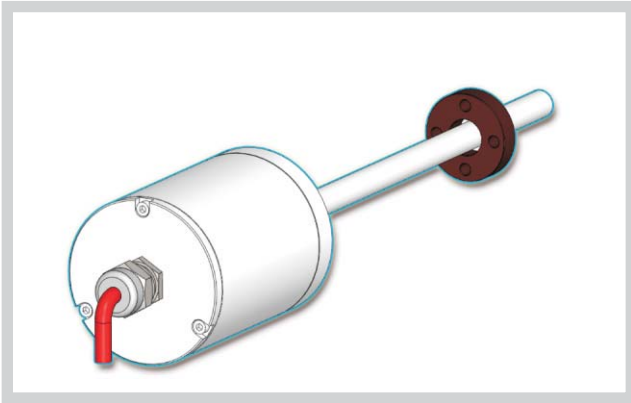
Installation guide



Style guide



WH Series | SSI output: 24, 25, 26 bit binary or gray



Product features

- Rugged and reliable, Protection ability :IP69K
- Absolute position output, No need to return to zero
- Non-Contact Sensing with Highest Durability
- Non-linearity is less than 0.01% of the range
- Repeatability is higher than 0.001% of the range

WH series products are specially designed for waterproof applications. Cable output uses waterproof connector. The machine protection ability can reach IP69K. The structure is compact and the installation space is small.

Technical Data

Project name	Data/Index
Measurement parameters	
Measuring range	50~4500mm
Out put	24、25、26 bit binary or gray
Data speed	70kBd~1MBd
Resolution	length: < 3 < 50 < 100 < 200 < 400 m rate: 1000 < 400 < 300 < 200 < 100 kBd
linearity	0.5/1/2/5 / 10 / 20 / 50 / 100um
Repeatability	< ±0.01%F.S.(Minimum ± 40 μ m)
Update time	< ±0.001%F.S. (± 1 bit) length: 300 750 1000 2000 5000 mm rate: 3.7 3.0 2.3 1.2 0.5 kHz

Electrical characteristics

Leading-out mode	cable outlet or 6 pin connector
Input voltage	24VDC (-15/+20%)
Current drain	< 60mA (With the range of variation)
Polarity protection	up to-30VDC
Overvoltage protection	up to 36VDC
Electric strength	500V (DC ground to machine ground)
Diagnostic display	nothing

Project name Data/Index

Design,material

Sensor head	AISI 304
Sensor stroke	AISI 304
Mounting flange	AISI 304

Installation

Mounting direction	any
Mounting mode	Screw mounted,M18X1.5 or User customization
Position magnet	Ring magnetsOD33, OD25.4

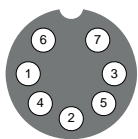
Operating conditions

Magnet speed	any
Operating temperature	- 40°C ~ +85°C
Dew point/humidity	90%rel.humidity, no condensation
Temperature coefficient	< 15ppm/°C
Protection	IP69K
Pressure rating	350bar/700bar peak

Electrical connection

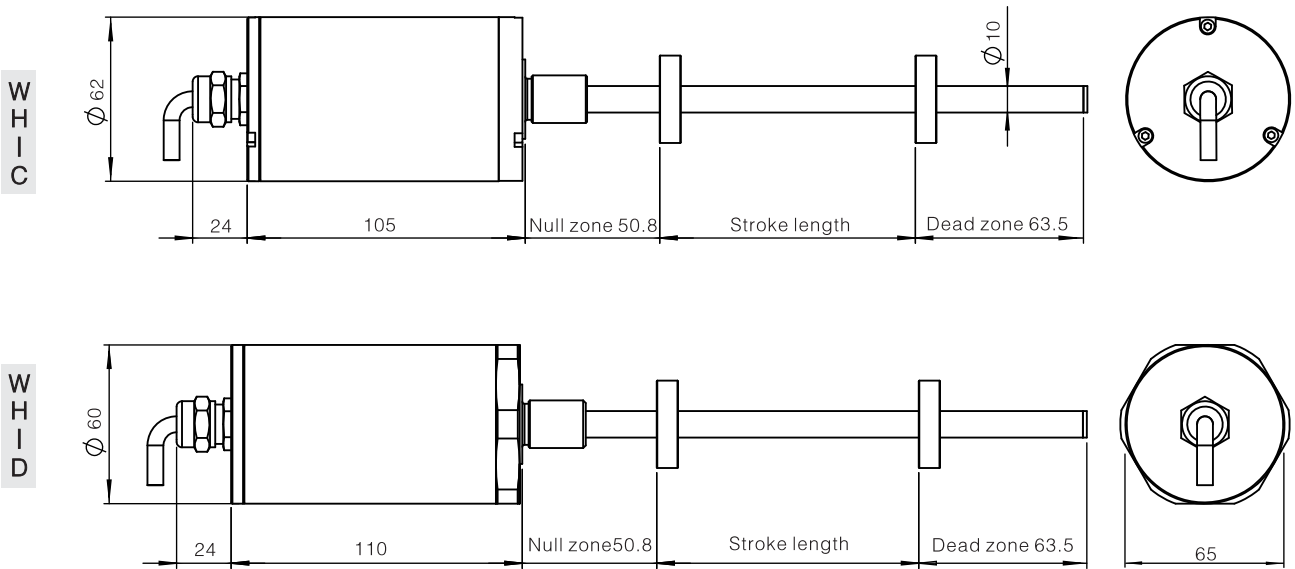
SSI output pin definition

Pin	Cable	Function
1	Grey	(+) Output
2	Pink	(-) Output
3	Yellow	Prog.
4	Green	Com.
5	Brown	+24Vdc
6	White	DC GND (0 Vdc)
7		NC

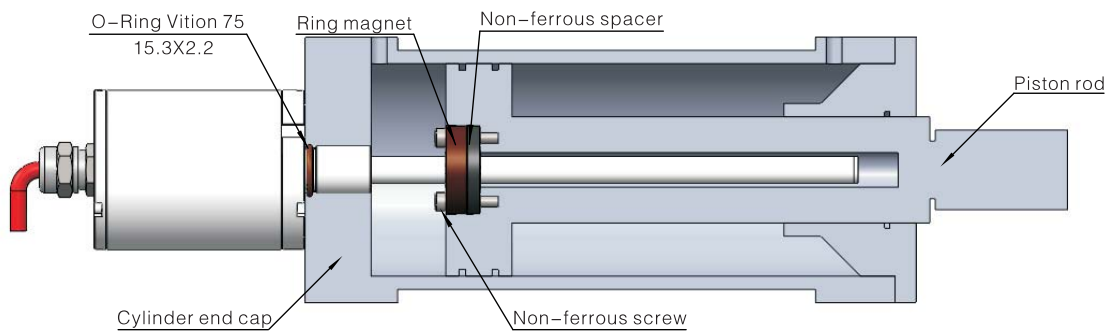


Male insert sensor plug rear of cable connector

Outline dimensions



Installation guide



Style guide

